

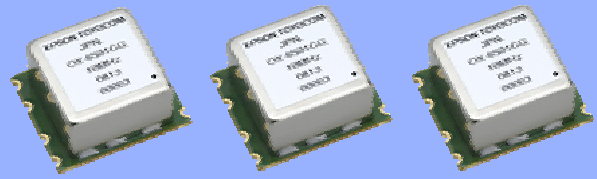
## Oven Controlled Crystal Oscillator (OCXO)

## OX-6501GG series

- Features : Low profile full SMD package
- : Very fast warm-up and accurate stability
- : IPC/JEDEC J-STD-020C reflowable
- : SC-Cut Crystal unit



Product number (please contact us)



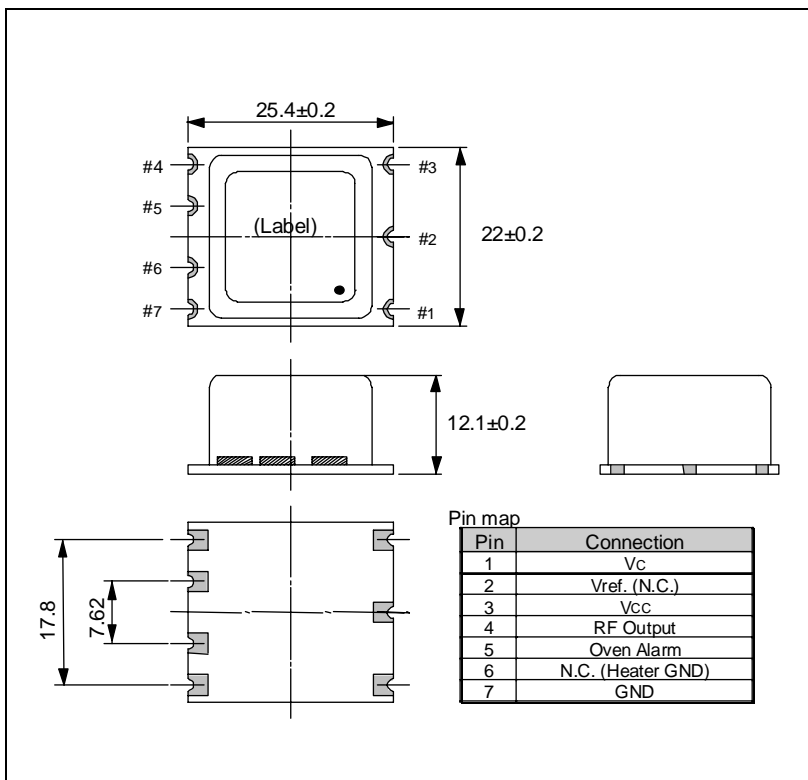
NEW

## Specifications (characteristics)

Item	Symbol	Specifications		
Output frequency range	fo	10.000 MHz to 40.000 MHz		Standard frequency
		10 MHz, 30.72 MHz		
Supply voltage	Vcc	3.3 V ±0.165 V	5.0 V ±0.25 V	
Storage temperature range	T_stg	-40 °C to +85 °C		During transportation only. Long term storage : Room temperature.
Operating temperature range	T_use	-10 °C to +70 °C		
Frequency/temperature characteristics	fo-Tc	±2.5 × 10 <sup>-8</sup> Max.		-10 °C to +70 °C
Frequency/voltage coefficient	fo-Vcc	±5 × 10 <sup>-9</sup> Max. OP.: ±2 × 10 <sup>-9</sup> Max.		Vcc=3.3 V ±0.165 V Vcc=5.0 V ±0.25 V
Frequency aging	f_age	±1 × 10 <sup>-8</sup> / dayMax. OP.: ±1 × 10 <sup>-9</sup> / dayMax. ±1 × 10 <sup>-7</sup> / year Max. OP.: ±3 × 10 <sup>-8</sup> / year Max.		
Warm-up	—	±5 × 10 <sup>-8</sup> / 5 min Max.		+25 °C
Current consumption	Warm-up	750 mA Max.	600 mA Max.	at +25 °C
	Steady state	300 mA Max.	200 mA Max.	
Frequency control range	f_cont	±1 × 10 <sup>-6</sup> Min.		Vc=1.4 V±1.4 V, Vc=2.0 V±2.0 V
Symmetry	SYM	45 % to 55 %		(V <sub>OH</sub> - V <sub>OL</sub> )/2
High output voltage	V <sub>OH</sub>	2.4 V Min.	2.8 V Min.	CMOS
Low output voltage	V <sub>OL</sub>	0.4 V Max.	0.4 V Max.	
Load resistance	Load_R	10 kΩ		
Load capacitance	Load_C	15 pF		
Weight	—	10 g Max.		

## External dimensions

(Unit:mm)



## Footprint (Recommended)

(Unit:mm)

