



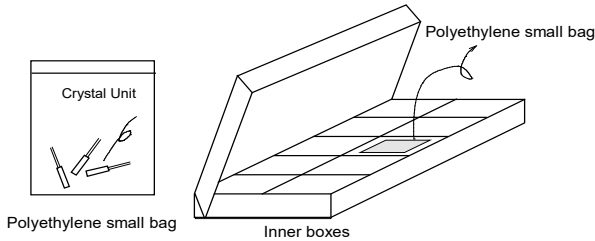
PACKING SPECIFICATIONS

For SMD products, recommendation packing quantity is specified as below table. Please order in accordance with packing quantity.

Note: * = Not recommended for new design or Discontinued products

1. Cylinder

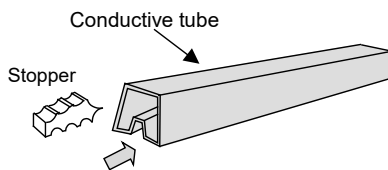
Cylinder products are packed in vinyl bags per lot of 250 to 1000pcs.
From 1 to 20 bags are then placed in inner boxes to make a lot.
Inner boxes are then placed in cartons for shipment. (the quantity varies with the model.)



Model	Quantity
HTS-206 *	500 pcs / vinyl bags

2. DIP

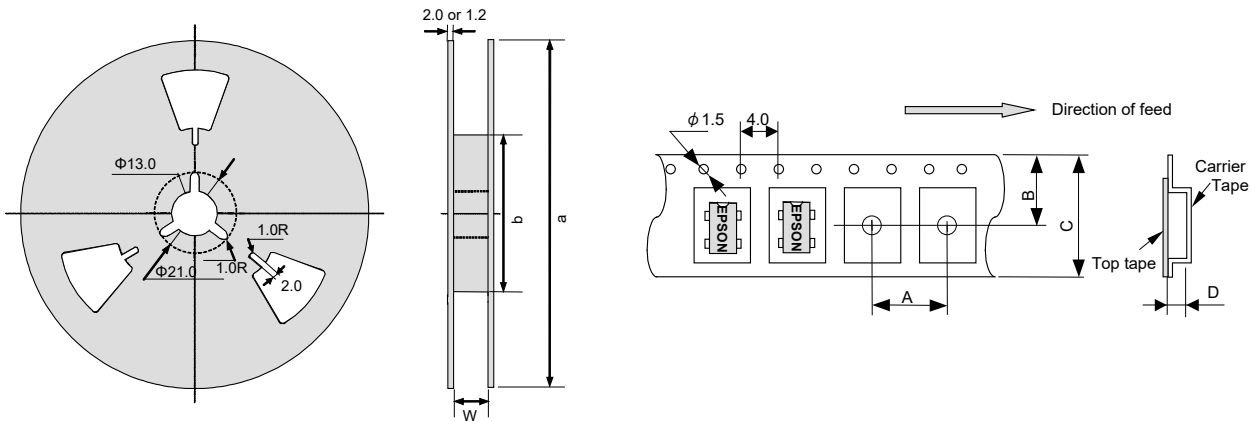
DIP products are placed into antistatic IC tubes and packed into boxes for shipment.



Model	Quantity
SG-531 *	35 pcs / tube
SG-8002DC *	

3. SMD

SMD products are packed in the shipping carton as below table in accordance with taping standards EIA-481 and IEC-60286.



RECOMMENDATION PACKING QUANTITY and DIMENSION (Unit:mm)

Note: * = Not recommended for new design or Discontinued products

●Crystal unit

Model	Quantity (pcs/Reel)	Reel dimension			Career Tape dimension				Direction of feed (L=left direction)	
		a	b	W	A	B	C	D		
kHz Range Crystal unit										
FC2012AN	5000	Φ180	Φ60	9	4	5.25	8	0.75	L	
FC-12D *	6000	Φ180	Φ60	9	4	5.25	8	0.45	L	
FC-12M	5000	Φ180	Φ60	9	4	5.25	8	0.75	L	
FC-135/ FC-135R	3000	Φ180	Φ60	13	4	7.25	12	1	L	
FC-13A	3000	Φ180	Φ60	13	4	7.25	12	1	L	
FC1610AN	5000	Φ180	Φ60	9	4	5.25	8	0.65	L	
MC-146	9000	Φ330	Φ80 or Φ100	17	4	9.25	16	1.6	L	
MC-306 *	3000	Φ330	Φ80 or Φ100	17.5	8	9.25	16	2.7	L	
MC-30A	3000	Φ330	Φ80 or Φ100	17.5	8	9.25	16	2.7	L	
MHz Range Crystal unit										
FA1210AN	6000	Φ180	Φ60	9	4	5.25	8	0.45	L	
FA-118T	6000	Φ180	Φ60	9	4	5.25	8	0.5	L	
FA-128	5000	Φ180	Φ60	9	4	5.25	8	0.7	L	
FA-128S *	4000	Φ180	Φ60	9	4	5.25	8	1.0	L	
FA2016AA	5000	Φ180	Φ60	9	4	5.25	8	0.7	L	
FA2016AN *	5000	Φ180	Φ60	9	4	5.25	8	0.7	L	
FA2016AS	5000	Φ180	Φ60	9	4	5.25	8	0.7	L	
FA2016ASA	3000	Φ180	Φ60	9	4	5.25	8	0.7	L	
FA-20H	5000	Φ180	Φ60	9	4	5.25	8	0.75	L	
FA1612AS	5000	Φ180	Φ60	9	4	5.25	8	0.7	L	
FA-20HS *	3000	Φ180	Φ60	9	4	5.25	8	1.15	L	
FA-238	4000	Φ180	Φ60	9	4	5.25	8	1.05	L	
FA-238A	4000	Φ180	Φ60	9	4	5.25	8	1.05	L	
FA-238V	4000	Φ180	Φ60	9	4	5.25	8	1.05	L	
MA-306 *	3000	Φ330	Φ80 or Φ100	17.5	8	9.25	16	2.7	L	
MA-406 *	1000	Φ330	Φ80 or Φ100	25.5	12	13.25	24	4	L	
MA-505 *	1000	Φ330	Φ80 or Φ100	25.5	12	13.25	24	4.8	L	
MA-506 *	1000	Φ330	Φ80 or Φ100	25.5	12	13.25	24	4.8	L	
TSX-3225	4000	Φ180	Φ60	9	4	5.25	8	1	L	

● SAW Resonator

Model	Quantity (pcs/Reel)	Reel dimension			Career Tape dimension				Direction of feed (L=left direction)
		a	b	W	A	B	C	D	
FS-335 *	4000	Φ330	Φ80 or Φ100	13.5	8	7.25	12	1.52	R
FS-555 *	4000	Φ330	Φ80 or Φ100	13.5	8	7.25	12	2	R
NS-21R *	3000	Φ180	Φ60	9	4	5.25	8	1.15	L
NS-32R *	4000	Φ330	Φ80 or Φ100	13.5	8	7.25	12	1.52	R

● SPXO

SG2520EGN/ VGN	2000	Φ180	Φ60	9	4	5.25	8	1.15	L
SG2520EHN/ VHN	2000	Φ180	Φ60	9	4	5.25	8	1.15	L
SG2016CAN / SG2016CAA	3000	Φ180	Φ60	9	4	5.25	8	1	L
SG-210 series	3000	Φ180	Φ60	9	4	5.25	8	1.15	L
SG-211 series *	3000	Φ180	Φ60	9	4	5.25	8	1.15	L
SG-3030CM *	3000	Φ180	Φ60	13	4	7.25	12	1	L
SG-3031CM	3000	Φ180	Φ60	13	4	7.25	12	1	L
SG-3031CMA	3000	Φ180	Φ60	13	4	7.25	12	1	L
SG-3030JC *	1000	Φ330	Φ80 or Φ100	17.5	8	9.25	16	3.3	L
SG-3030JF *	1000	Φ254	Φ100	17.5	8	9.25	16	2.3	L
SG-3030LC *	2000	Φ180	Φ60	13	4	7.25	12	1.45	L
SG-3040LC *	2000	Φ180	Φ60	13	4	7.25	12	1.45	L
SG3225 series	2000	Φ180	Φ60	9	4	5.25	8	1.4	L
SG5032 series *	1000	Φ180	Φ60	13	8	7.25	12	1.4	L
SG7050EEN/ VEN	1000	Φ180	Φ60	17	8	9.25	16	2.1	L
SG7050 series *	1000	Φ254	Φ100	17.5	8	9.25	16	2.1	L
SG-615P *	1000	Φ330	Φ80 or Φ100	25.5	12	13.25	24	4.8	L
SG-636 series *	1000	Φ330	Φ80 or Φ100	17.5	8	9.25	16	3	L
SG-850xCA	1000	Φ180	Φ60	17	8	9.25	16	2.1	L

● SPSO(Low-Jitter SAW)

EA-2102CB *	1000	Φ180	Φ60	13	8	7.25	12	1.7	L
EG-21xxCB *	1000	Φ180	Φ60	13	8	7.25	12	1.7	L
EG-2xxxCA *	1000	Φ180	Φ60	17	8	9.25	16	2.1	L
EG-4101CA *	1000	Φ180	Φ60	17	8	9.25	16	2.1	L
EG-4121CA *	1000	Φ180	Φ60	17	8	9.25	16	2.1	L
XG-1000CA *	1000	Φ180	Φ60	17	8	9.25	16	2.1	L
XG-1000CB *	1000	Φ180	Φ60	13	8	7.25	12	1.7	L
XG-21xxCA *	1000	Φ180	Φ60	17	8	9.25	16	2.1	L
XG5032HAN *	1000	Φ180	Φ60	13	8	7.25	12	1.7	L

● Programmable & Spread Spectrum

SG-8002CA */ SG-8101CA/ SG-8018CA	1000	Φ254	Φ100	17.5	8	9.25	16	2.3	L
SG-8002CE */ SG-8101CE/ SG-8018CE	2000	Φ180	Φ60	9	4	5.25	8	1.4	L
SG-8101CB/ SG-8018CB	1000	Φ180	Φ60	13	8	7.25	12	1.4	L
SG-8002JA *	1000	Φ330	Φ80 or Φ100	25.5	12	13.25	24	4.8	L
SG-8002JC *	1000	Φ330	Φ80 or Φ100	17.5	8	9.25	16	3.3	L
SG-8101CG SG-8018CG/ SG-8101CGA	3000	Φ180	Φ60	9	4	5.25	8	1.15	L
SG-9101CA	1000	Φ254	Φ100	17.5	8	9.25	16	2.3	L
SG-9101CB	1000	Φ180	Φ60	13	8	7.25	12	1.4	L
SG-9101CE	2000	Φ180	Φ60	9	4	5.25	8	1.4	L
SG-9101CG/ SG-9101CGA	3000	Φ180	Φ60	9	4	5.25	8	1.15	L

● VCXO/VCXO

EV7050EAN	1000	Φ180	Φ60	17	8	9.25	16	2.1	L
VG2520CAN *	3000	Φ180	Φ60	9	4	5.25	8	1.15	L
VG7050CDN	1000	Φ180	Φ60	17	8	9.25	16	2.1	L
VG7050CAN *	1000	Φ254	Φ100	17.5	8	9.25	16	2.3	L
VG-4231CA *	1000	Φ254	Φ100	17.5	8	9.25	16	2.3	L
VG-4231CB	1000	Φ180	Φ60	13	8	7.25	12	1.4	L
VG-4231CE	2000	Φ180	Φ60	9	4	5.25	8	1.4	L
VG-4232CA *	1000	Φ254	Φ100	17.5	8	9.25	16	2.3	L
VG-45xxCA *	1000	Φ180	Φ60	17	8	9.25	16	2.1	L
VG-4513CB *	1000	Φ180	Φ60	13	8	7.25	12	1.4	L
VG3225EFN/ VG3225VFN	2000	Φ180	Φ60	9	4	5.25	8	1.4	L
VG5032EFN/ VG5032VFN	1000	Φ180	Φ60	13	8	7.25	12	1.4	L
VG7050EFN/ VG7050VFN	1000	Φ180	Φ60	17	8	9.25	16	2.1	L
VG5032EDN */ VDN *	1000	Φ180	Φ60	13	8	7.25	12	1.4	L
VG7050EAN/EBN/ECN	1000	Φ180	Φ60	17	8	9.25	16	2.1	L



●TCXO

Model	Quantity (pcs/Reel)	Reel dimension			Career Tape dimension				Direction of feed (L=left direction)
		a	b	W	A	B	C	D	
TG1612SLN	3000	Φ180	Φ60	9.4	4	5.25	8	1.15	L
TG2016SLN	3000	Φ180	Φ60	9.4	4	5.25	8	1.15	L
TG2016SAN *	12000	Φ330	Φ100	9.4	4	5.25	8	1	L
TG2016SBN/ TG2016SMN	12000	Φ330	Φ100	9.4	4	5.25	8	1	L
TG2520SBN/ TG2520SMN	10000	Φ330	Φ100	9.4	4	5.25	8	1.15	L
TG7050xKN/ TG7050xMN	1000	Φ254	Φ100	17.5	8	9.25	16	2.3	L
TG2520CEN	10000	Φ330	Φ100	9.4	4	5.25	8	1.15	L
TG3225CEN	2000	Φ180	Φ60	9	4	5.25	8	1.4	L
TG-50xxCE *	2000	Φ180	Φ60	9	4	5.25	8	1.4	L
TG-50xxCG *	10000	Φ330	Φ100	9.4	4	5.25	8	1.15	L
TG-5035CG * (AEC-Q200)	2000	Φ180	Φ60	9.4	4	5.25	8	1.15	L
TG-50xxCJ *	12000	Φ330	Φ100	9.4	4	5.25	8	1	L
TG5032CFN/SFN	1000	Φ180	Φ60	13	8	7.25	12	1.4	L
TG5032CGN/SGN	1000	Φ180	Φ60	13	8	7.25	12	1.4	L
TG5032CAN/SAN *	1000	Φ180	Φ60	13	8	7.25	12	1.4	L
TG5032CBN/SBN *	1000	Φ180	Φ60	13	8	7.25	12	1.4	L
TG5032CCN/SCN *	1000	Φ180	Φ60	13	8	7.25	12	1.4	L
TG5032CDN/SDN *	1000	Φ180	Φ60	13	8	7.25	12	1.4	L
TG-5500CA *	1000	Φ254	Φ100	17.5	8	9.25	16	2.3	L
TG-5501CA *	1000	Φ254	Φ100	17.5	8	9.25	16	2.3	L
TG-5510CA/ TG-5511CA	1000	Φ254	Φ100	17.4	8	9.25	16	2	L
TG-3541CE/ TG3541CEA	2000	Φ180	Φ60	9	4	5.25	8	1.4	L

●Multi output oscillator

MG7050 series *	1000	Φ180	Φ60	17	8	9.25	16	2.1	L
-----------------	------	------	-----	----	---	------	----	-----	---

●Module

SR3225SAA	3000	Φ180	Φ60	9	4	5.25	8	1.4	L
-----------	------	------	-----	---	---	------	---	-----	---

●Real Time Clock Module

RA-4565SA	1000	Φ330	Φ80 or Φ100	17.5	12	9.25	16	3.65	L
RA-4574SA *	1000	Φ330	Φ80 or Φ100	17.5	12	9.25	16	3.65	L
RA4803SA	1000	Φ330	Φ80 or Φ100	17.5	12	9.25	16	3.65	L
RA-8565SA	1000	Φ330	Φ80 or Φ100	17.5	12	9.25	16	3.65	L
RA-8581SA	1000	Φ330	Φ80 or Φ100	17.5	12	9.25	16	3.65	L
RA8803SA	1000	Φ330	Φ80 or Φ100	17.5	12	9.25	16	3.65	L
RTC-4543SA *	1000	Φ330	Φ80 or Φ100	17.5	12	9.25	16	3.65	L
RTC-4574JE *	1000	Φ330	Φ80 or Φ100	17.5	12	9.25	16	2	L
RTC-4574NB *	1000	Φ330	Φ80 or Φ100	17.5	12	9.25	16	1.8	L
RTC-4574SA	1000	Φ330	Φ80 or Φ100	17.5	12	9.25	16	3.65	L
RTC-72423	1000	Φ330	Φ80 or Φ100	25.5	16	13.25	24	2.95	L
RTC-7301SF *	1000	Φ330	Φ80 or Φ100	17.5	12	9.25	16	2.4	L
RTC-8564JE *	1000	Φ330	Φ80 or Φ100	17.5	12	9.25	16	2	L
RTC-8564NB *	1000	Φ330	Φ80 or Φ100	17.5	12	9.25	16	1.8	L
RX-4035LC	2000	Φ180	Φ60	13	4	7.25	12	1.45	L
RX-4035SA	1000	Φ330	Φ80 or Φ100	17.5	12	9.25	16	3.65	L
RX-4045NB *	1000	Φ330	Φ80 or Φ100	17.5	12	9.25	16	1.8	L
RX-4045SA	1000	Φ330	Φ80 or Φ100	17.5	12	9.25	16	3.65	L
RX-4571LC	2000	Φ180	Φ60	13	4	7.25	12	1.45	L
RX-4571NB *	1000	Φ330	Φ80 or Φ100	17.5	12	9.25	16	1.8	L
RX-4571SA	1000	Φ330	Φ80 or Φ100	17.5	12	9.25	16	3.65	L
RX-4574LC *	2000	Φ180	Φ60	13	4	7.25	12	1.45	L
RX-4581NB *	1000	Φ330	Φ80 or Φ100	17.5	12	9.25	16	1.8	L
RX-4803LC	2000	Φ180	Φ60	13	4	7.25	12	1.45	L
RX-4803SA	1000	Φ330	Φ80 or Φ100	17.5	12	9.25	16	3.65	L
RX6110SA	1000	Φ330	Φ80 or Φ100	17.5	12	9.25	16	3.65	L
RX8010SJ	1000	Φ330	Φ80	17.5	12	9.25	16	2.95	L
RX-8025NB *	1000	Φ330	Φ80 or Φ100	17.5	12	9.25	16	1.8	L
RX-8025SA	1000	Φ330	Φ80 or Φ100	17.5	12	9.25	16	3.65	L
RX-8035LC	2000	Φ180	Φ60	13	4	7.25	12	1.45	L
RX-8035SA	1000	Φ330	Φ80 or Φ100	17.5	12	9.25	16	3.65	L
RX****CE/ RA****CE	2000	Φ180	Φ60	9	4	5.25	8	1.4	L
RX8111CE	2000	Φ180	Φ60	9	4	5.25	8	1.4	L
RX4111CE	2000	Φ180	Φ60	9	4	5.25	8	1.4	L
RX-8564LC	2000	Φ180	Φ60	13	4	7.25	12	1.45	L
RX-8571LC	2000	Φ180	Φ60	13	4	7.25	12	1.45	L
RX-8571NB *	1000	Φ330	Φ80 or Φ100	17.5	12	9.25	16	1.8	L
RX-8571SA	1000	Φ330	Φ80 or Φ100	17.5	12	9.25	16	3.65	L
RX-8581JE *	1000	Φ330	Φ80 or Φ100	17.5	12	9.25	16	2	L
RX-8581NB *	1000	Φ330	Φ80 or Φ100	17.5	12	9.25	16	1.8	L
RX-8581SA *	1000	Φ330	Φ80 or Φ100	17.5	12	9.25	16	3.65	L
RX-8731LC	2000	Φ180	Φ60	13	4	7.25	12	1.45	L
RX-8803LC	2000	Φ180	Φ60	13	4	7.25	12	1.45	L
RX-8803SA	1000	Φ330	Φ80 or Φ100	17.5	12	9.25	16	3.65	L
RX8900SA	1000	Φ330	Φ80 or Φ100	17.5	12	9.25	16	3.65	L

● SAW Filter

Model	Quantity (pcs/Reel)	Reel dimension			Career Tape dimension				Direction of feed (L=left direction)
		a	b	W	A	B	C	D	
FF-555 *	4000	Φ330	Φ80 or Φ100	13.5	8.0	7.25	12.0	2.0	R

● Sensor

XV-3510CB	2000	Φ254	Φ100	13.4	8	7.25	12	2.1	L
XV4001Bx	2000	Φ254	Φ100	13.4	8	7.25	12	2.1	L
XV4001Kx	1000	Φ254	Φ100	13.4	8	7.25	12	3.7	L
XV7021BB/ XV7081BB	2000	Φ254	Φ100	13.4	8	7.25	12	2.1	L
XV7011BB/ XV7001BB	2000	Φ254	Φ100	13.4	8	7.25	12	2.1	L
XV-8000CB *	2000	Φ254	Φ100	13.4	8	7.25	12	2.1	L
XV-8000LK *	1000	Φ254	Φ100	13.4	8	7.25	12	3.7	L
XV-9100CD/XV-9300CD	2000	Φ254	Φ100	13.4	8	7.25	12	1.8	L
XV-9100LP/XV-9300LP	500	Φ330	Φ80 or Φ100	25.4	12	13.25	24	8.5	R
XV-9100LV/XV-9300LV	1000	Φ330	Φ80 or Φ100	17.4	12	9.25	16	4.5	L