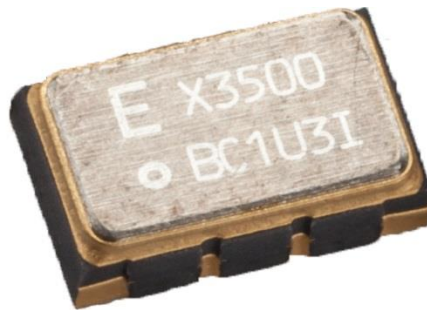


Product Configuration Guide

TCXO



Product Configuration System



32.7680kHz TCXO

TG-3541CE

Base Model	Pkg.
TG-3541CE	3.2 x 2.5 x 1.0 mm
TG-3541CEA* *Automotive	10 PIN Ceramic

32.7680K

Frequency
32.7680kHz Only

XA

Frequency Temp Char

XA=

+/-1.9PPM 0°C to 50°C
 +/-3.4PPM -40°C to 85°C
 +/-8.0ppm 85°C to 105°C

XB=

+/-1.9PPM 0°C to 50°C
 +/-5.0PPM -40°C to 85°C
 +/-8.0ppm 85°C to 105°C

0

Tape & Reel Qty

B: Bulk

2: 500pcs/reel

0: 1000pcs/reel

6: 2000pcs/reel

August 2022

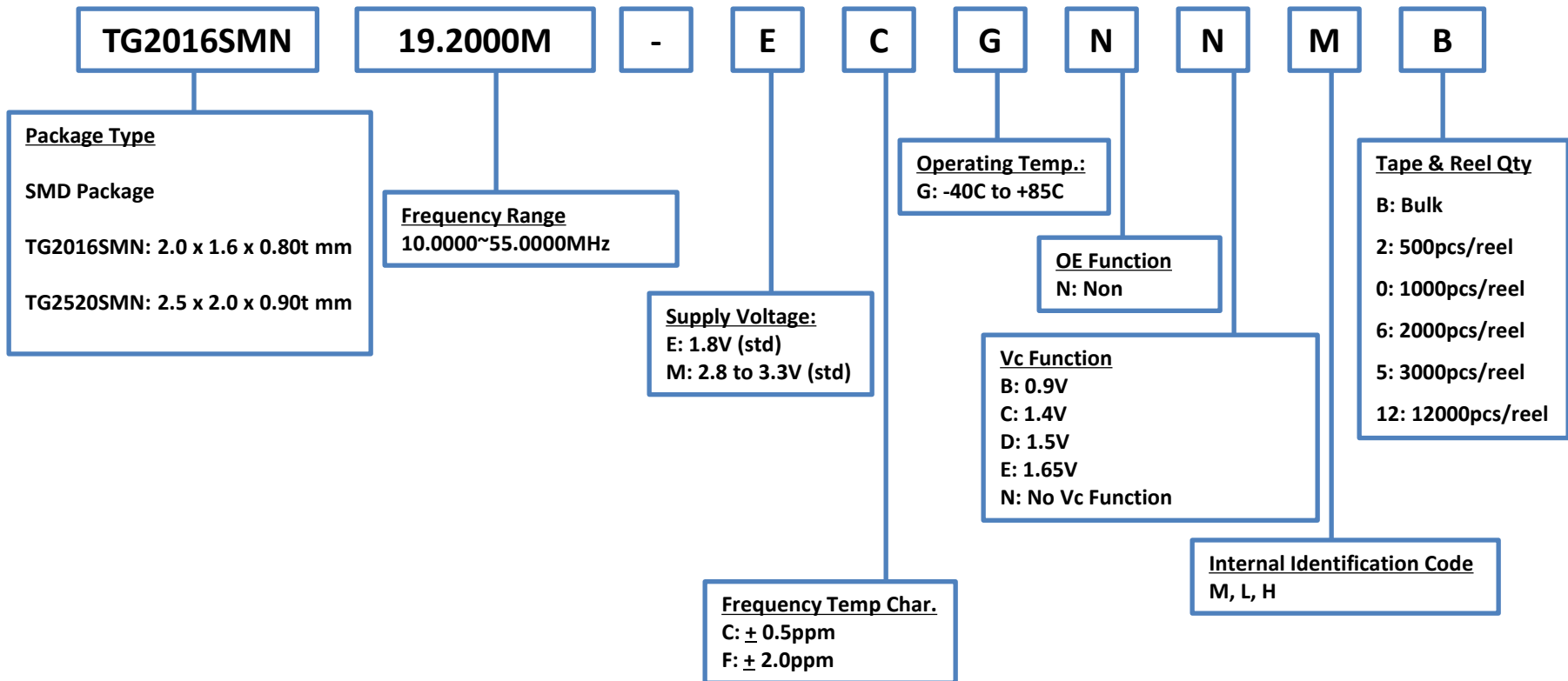
NOTE:

Please contact EAI for requirements not listed in this specification.

Product Configuration System



TCXO/VC-TCXO High Stability



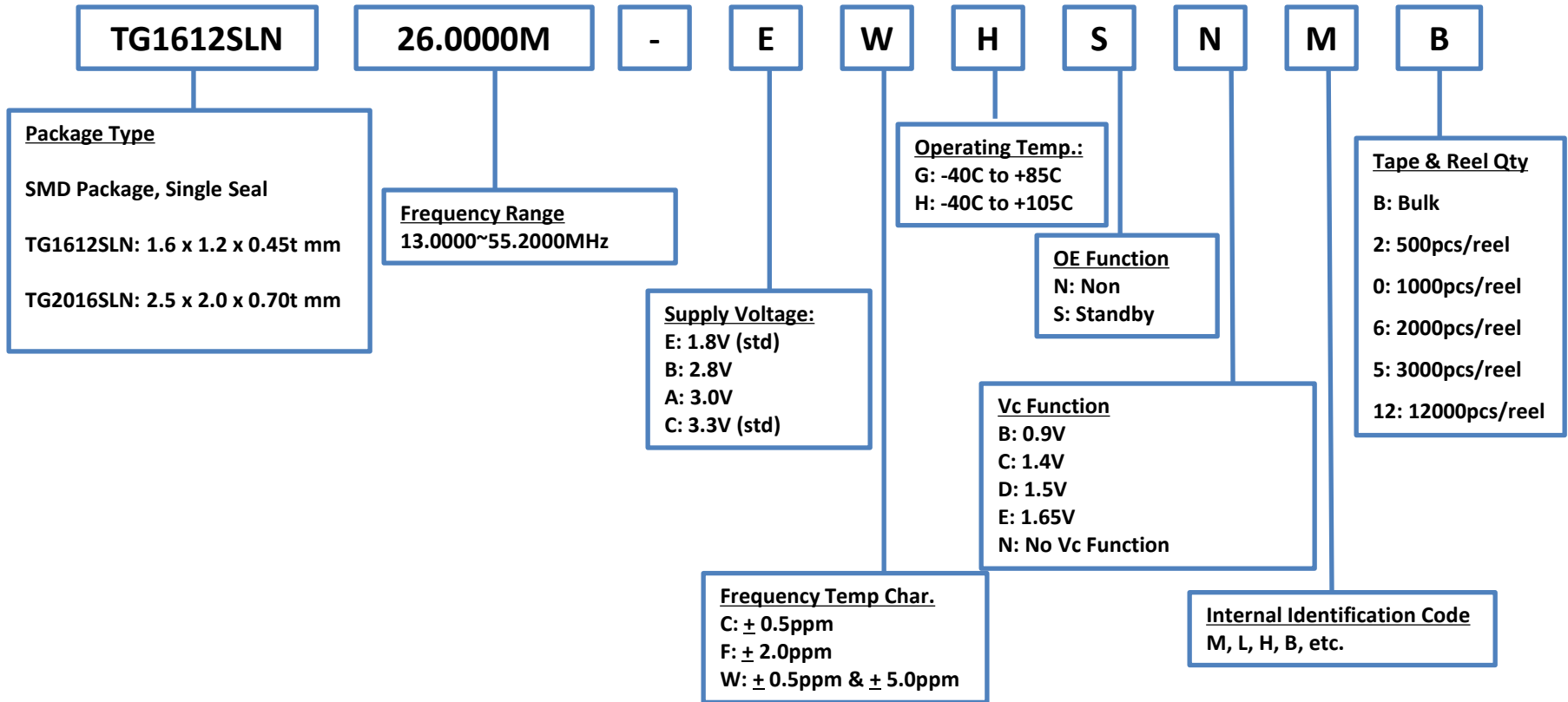
NOTE:

Please contact EAI for requirements not listed in this specification.

Product Configuration System



TCXO/VC-TCXO High Stability



EPSON

August 2022

NOTE:

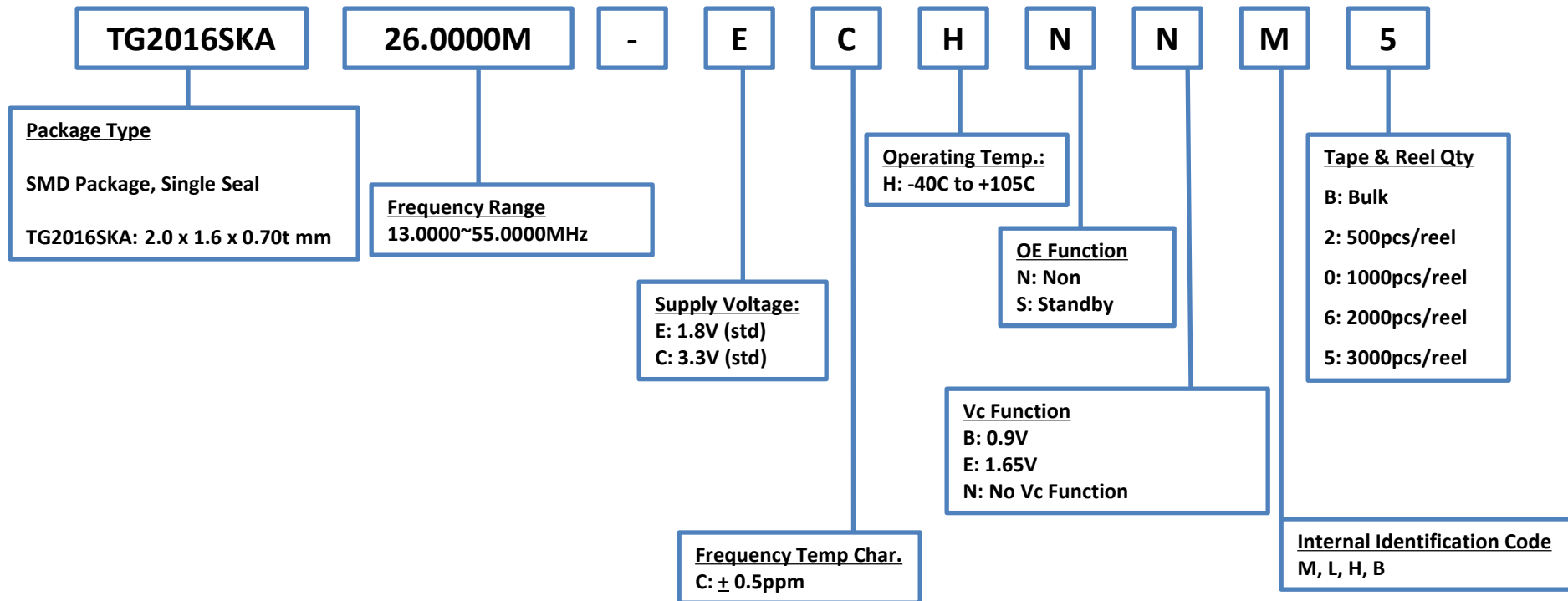
Stability "CG" (+/-0.5ppm -40/85C) , "WH" (+/- 0.5 & +/-5.0ppm -40/105C) are available. For stability +/-0.5ppm -40/105C, please see TG2016SKA with stability "CH"

Please contact EAI for requirements not listed in this specification.

Product Configuration System



TCXO/VC-TCXO High Stability for Automotive



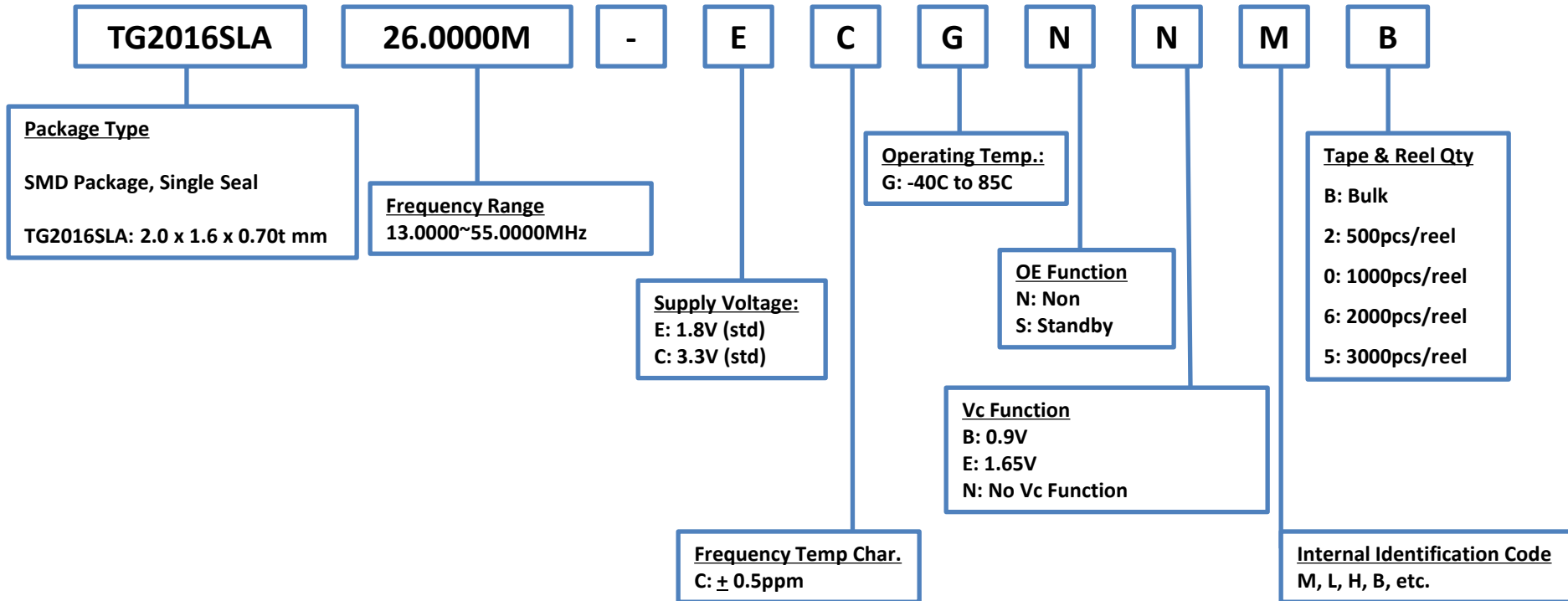
NOTE:

Please contact us for requirements not listed in this specification.

Product Configuration System



TCXO/VC-TCXO High Stability for Automotive



NOTE:

Stability "CG" (+/-0.5ppm -40/85C) are available. For stability +/-0.5ppm -40/105C, please see TG2016SKA with stability "CH"

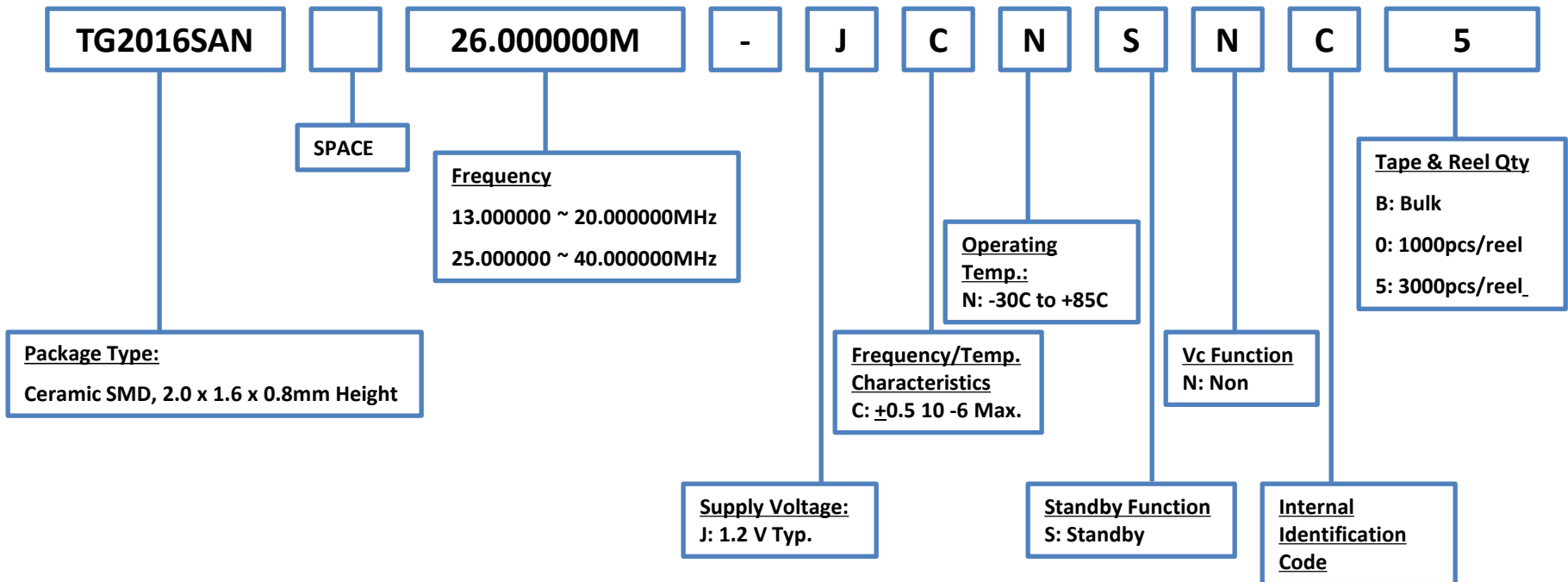
Please contact us for requirements not listed in this specification.

Product Configuration System



TCXO

Discontinued



NOTE:

Please contact us for requirements not listed in this specification.

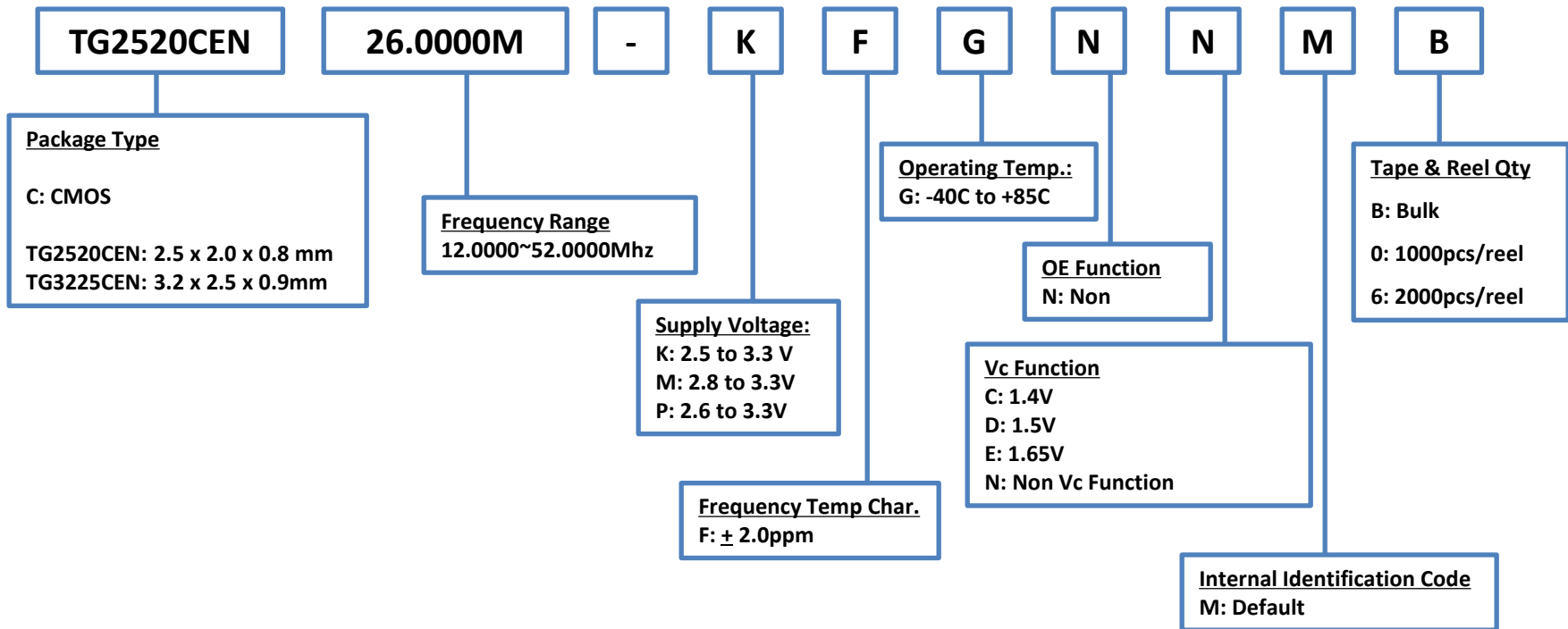
EPSON

August 2022

Product Configuration System



TCXO/VC-TCXO High Stability



NOTE:

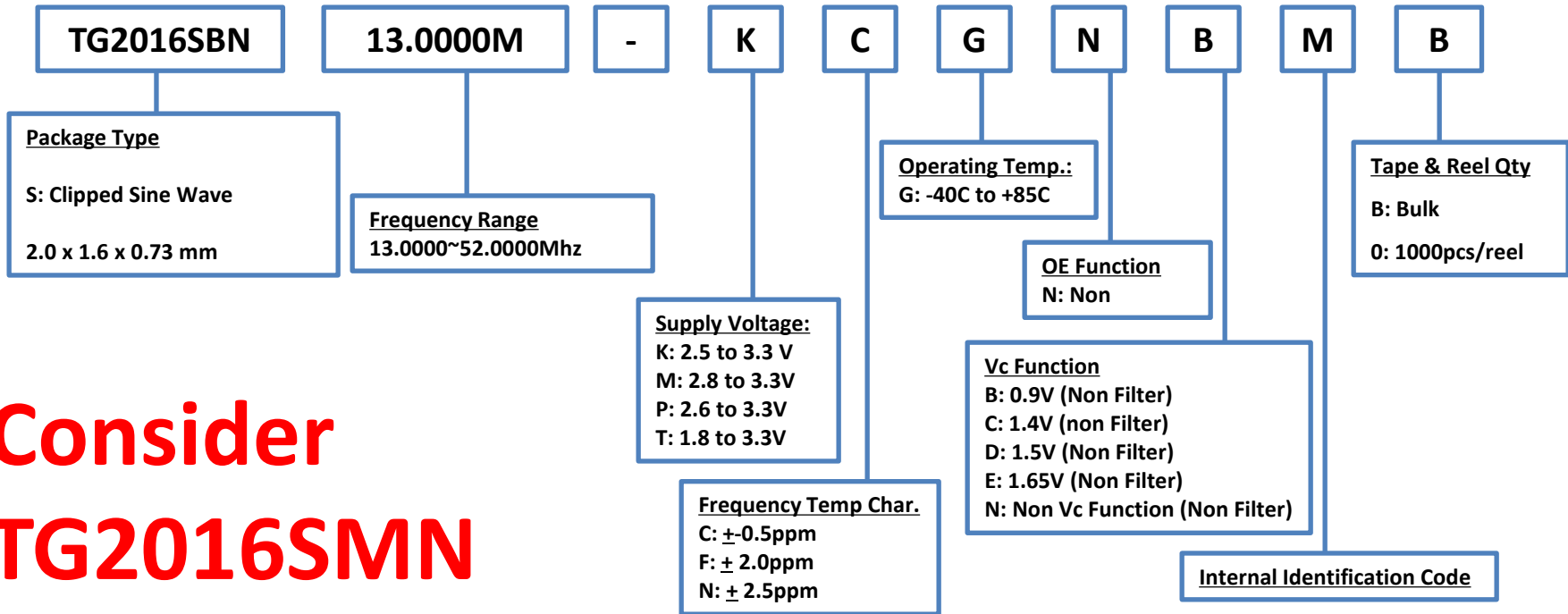
Please contact EAI for requirements not listed in this specification.

Product Configuration System



TCXO/VC-TCXO High Stability

Discontinued



Consider TG2016SMN

NOTE:

Please contact us for requirements not listed in this specification.

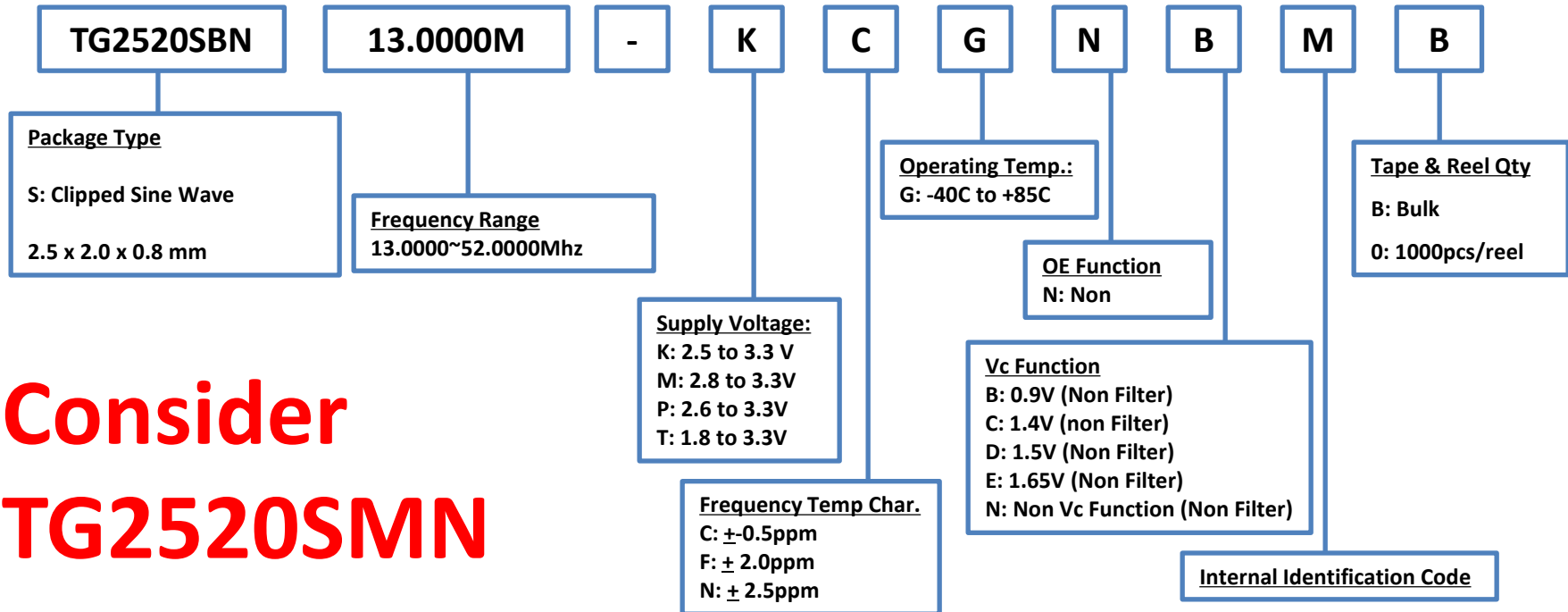


Product Configuration System



TCXO/VC-TCXO High Stability

Discontinued



Consider TG2520SMN

NOTE:

Please contact us for requirements not listed in this specification.



Product Configuration System



TCXO

TG-5006CJ

-

xxx

19.2000M

Package Type:

TG-5006CJ - 2.0 X 1.6 X 0.8 mm
TG-5006CG - 2.5 X 2.0 X 0.9 mm
TG-5006CE - 3.2 X 2.5 X 1.0 mm

TG-5035CJ - 2.0 X 1.6 X 0.8 mm
TG-5035CG - 2.5 X 2.0 X 0.9 mm
TG-5035CE - 3.2 X 2.5 X 1.0 mm

TG-5031CJ - 2.0 X 1.6 X 0.8 mm
TG-5021CG - 2.5 X 2.0 X 0.9 mm
TG-5021CE - 3.2 X 2.5 X 1.0 mm

Specification Code:

Issued by Epson after reviewing customer requirements

Frequency

TG-5006CJ/CG/CE: 13 ~ 52MHz
STD Freqs: 16.367667, 16.368, 16.369, 19.2, 26, 38.4MHz

TG-5035CE: 10 ~ 40 MHz
TG-5035CJ/CG/: 13 ~ 52MHz
STD Freqs: 13, 16.368, 16.369, 19.2, 26, 38.4MHz

TG-5031CJ/TG-5021CG: 13 ~ 52MHz
TG-5021CE: 10 ~ 40MHz
STD Freqs: 13, 19.2, 26, 38.4MHz

EPSON

August 2022

NOTE:

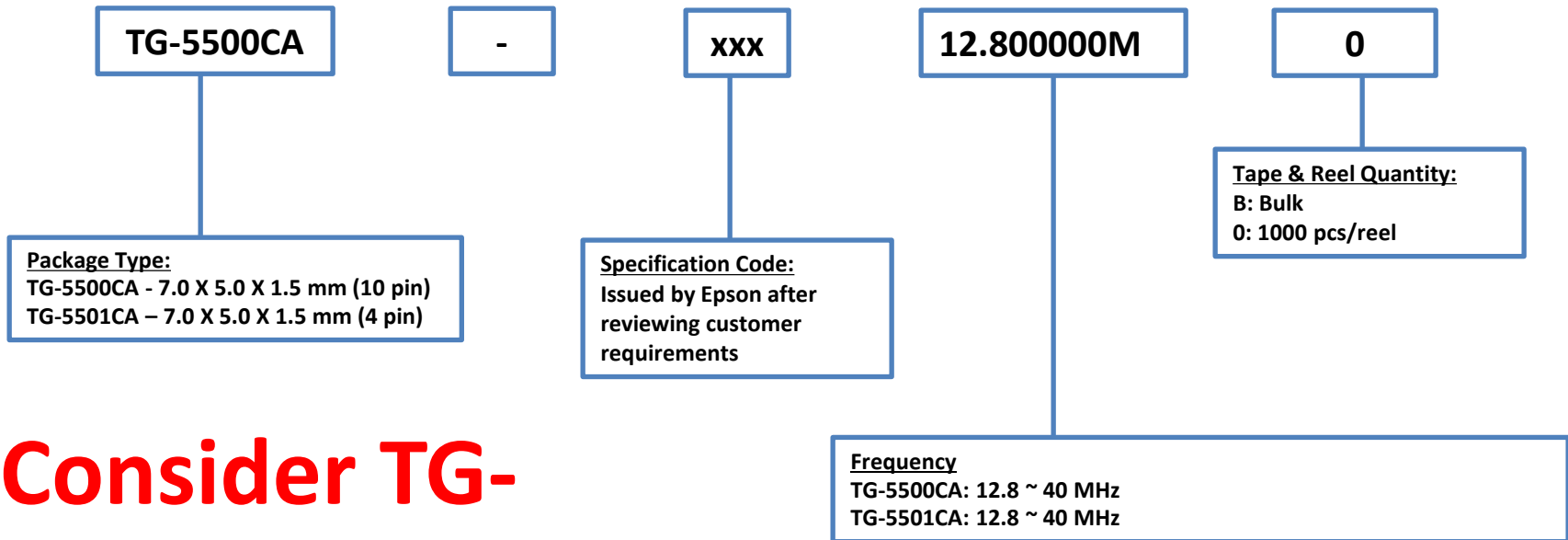
Please contact us for requirements not listed in this specification.

Product Configuration System



TCXO/VC-TCXO
Ultra High Stability

Discontinued



Consider TG-5510CA

August 2022

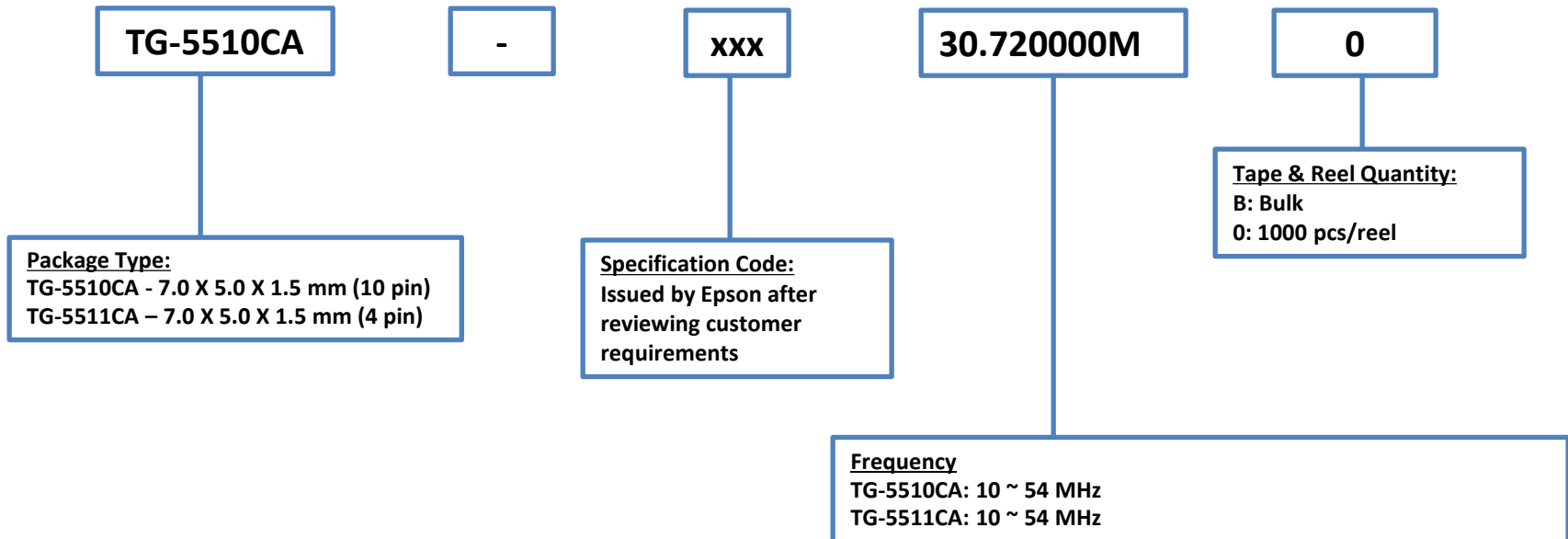
NOTE:

Please contact us for requirements not listed in this specification.

Product Configuration System



TCXO/VC-TCXO Ultra High Stability



EPSON

August 2022

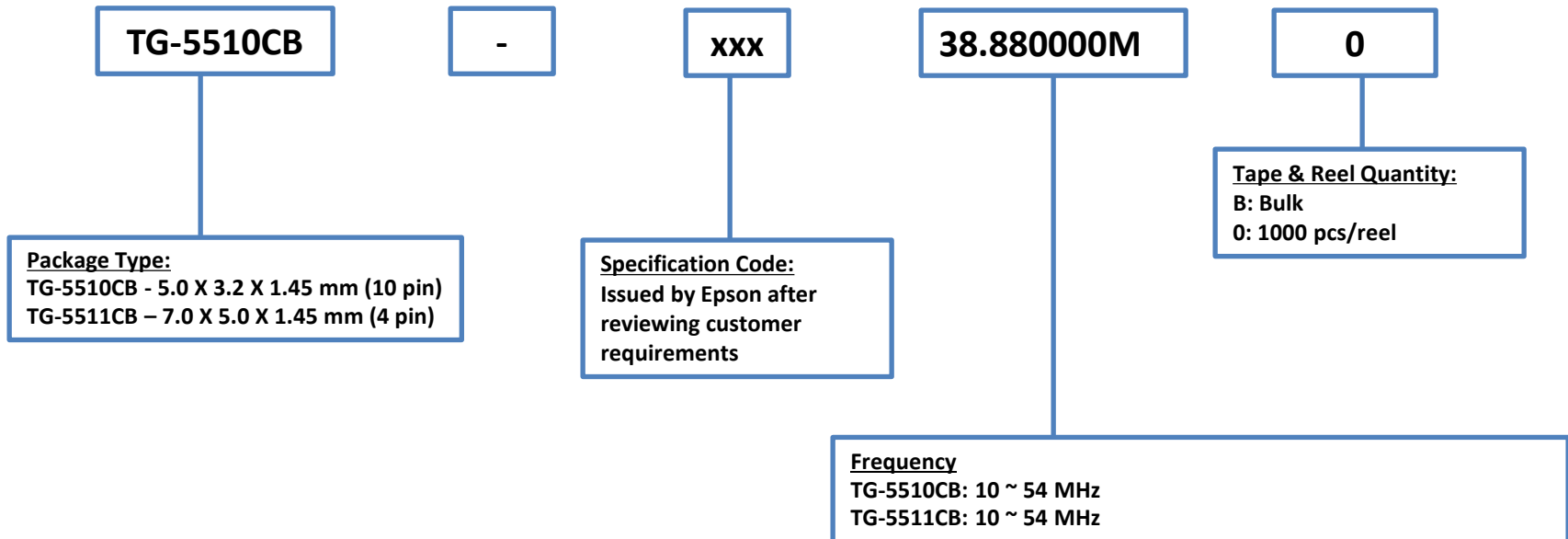
NOTE:

Please contact us for requirements not listed in this specification.

Product Configuration System



TCXO/VC-TCXO Ultra High Stability



NOTE:

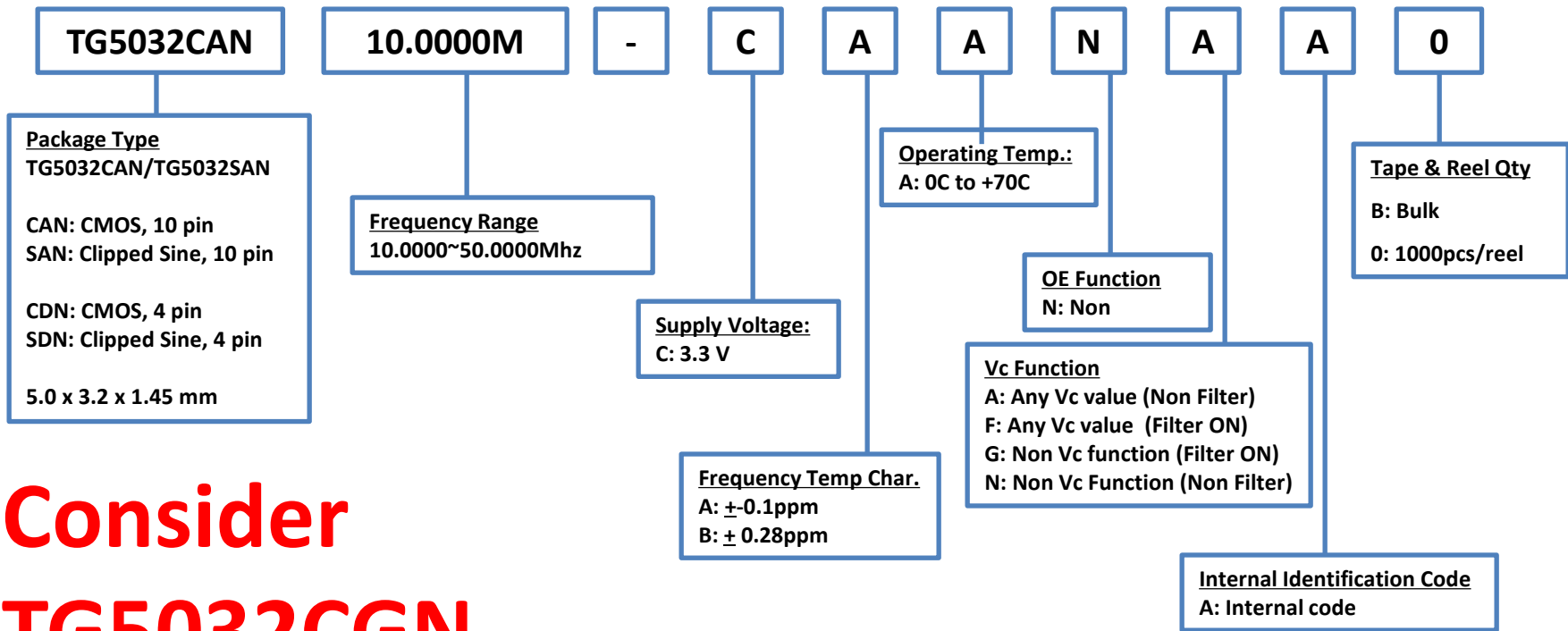
Please contact us for requirements not listed in this specification.

Product Configuration System



TCXO/VC-TCXO Ultra High Stability

Discontinued



Consider TG5032CGN

EPSON

August 2022

NOTE:

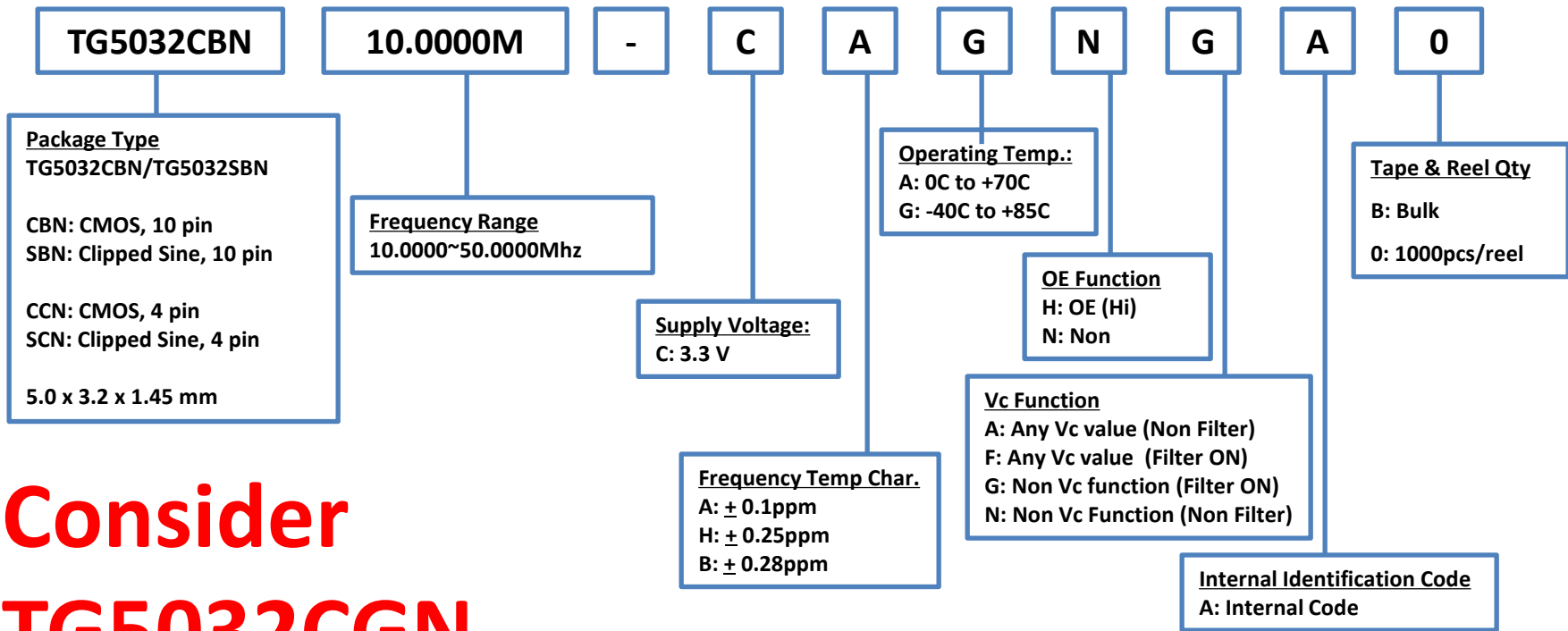
Please contact us for requirements not listed in this specification. 84

Product Configuration System



TCXO/VC-TCXO Ultra High Stability

Discontinued



Consider TG5032CGN

EPSON

August 2022

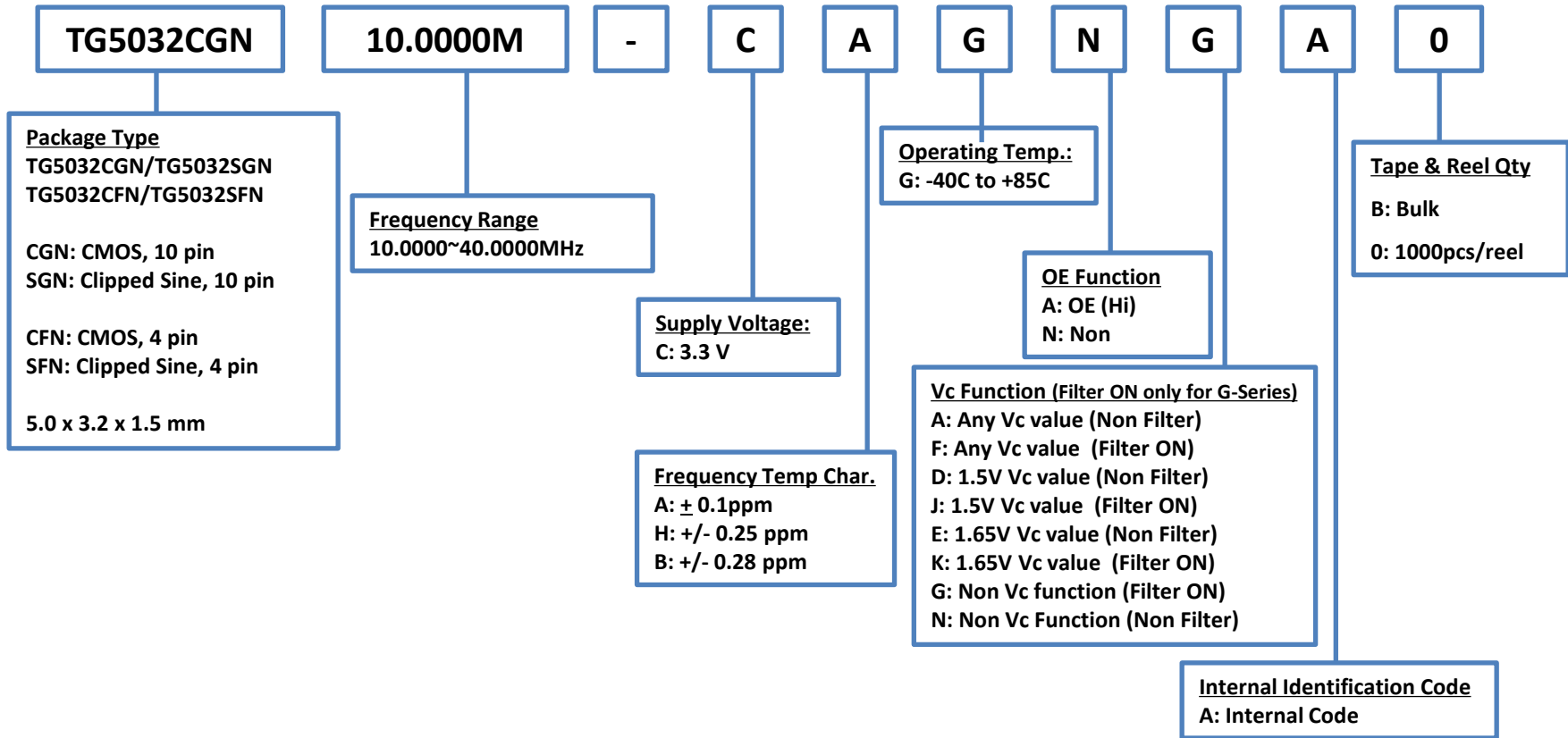
NOTE:

Please contact us for requirements not listed in this specification. 85

Product Configuration System



TCXO/VC-TCXO Ultra High Stability



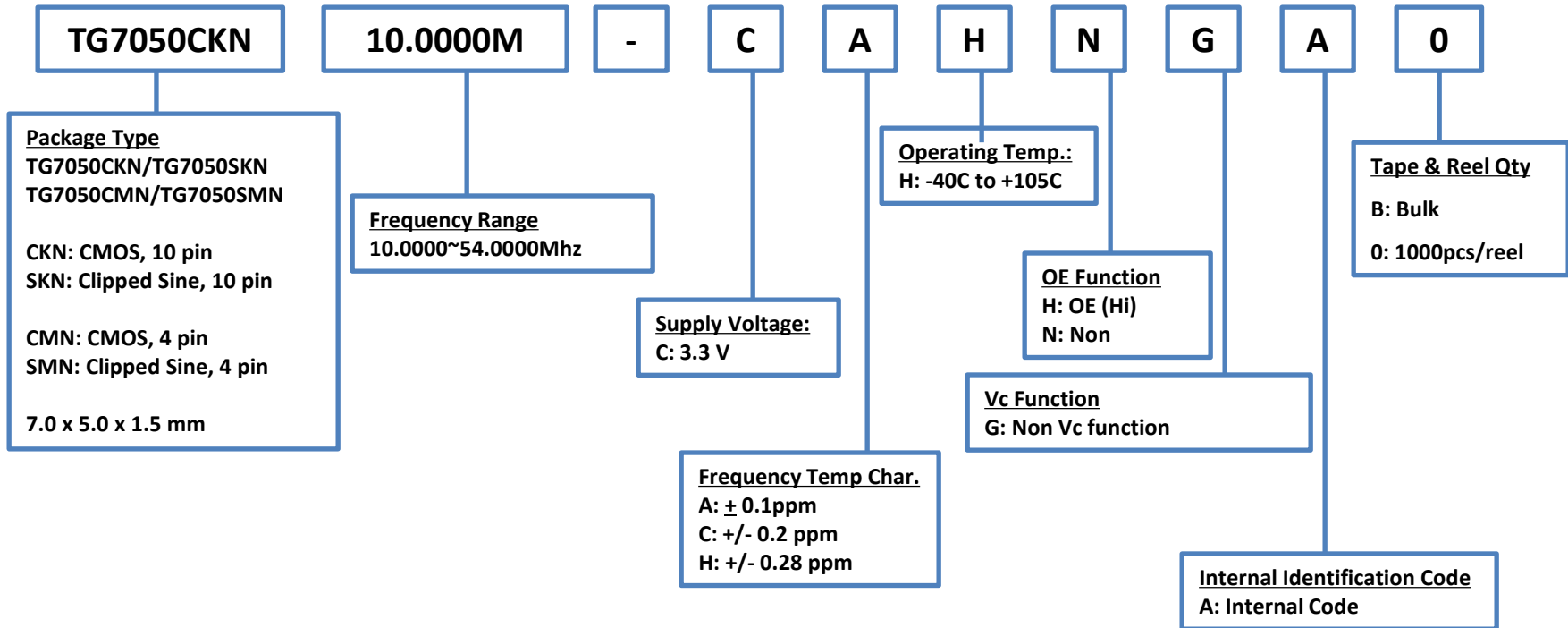
NOTE:

Please contact us for requirements not listed in this specification. 85

Product Configuration System



TCXO/VC-TCXO Ultra High Stability



August 2022

NOTE:

Please contact us for requirements not listed in this specification. 87